

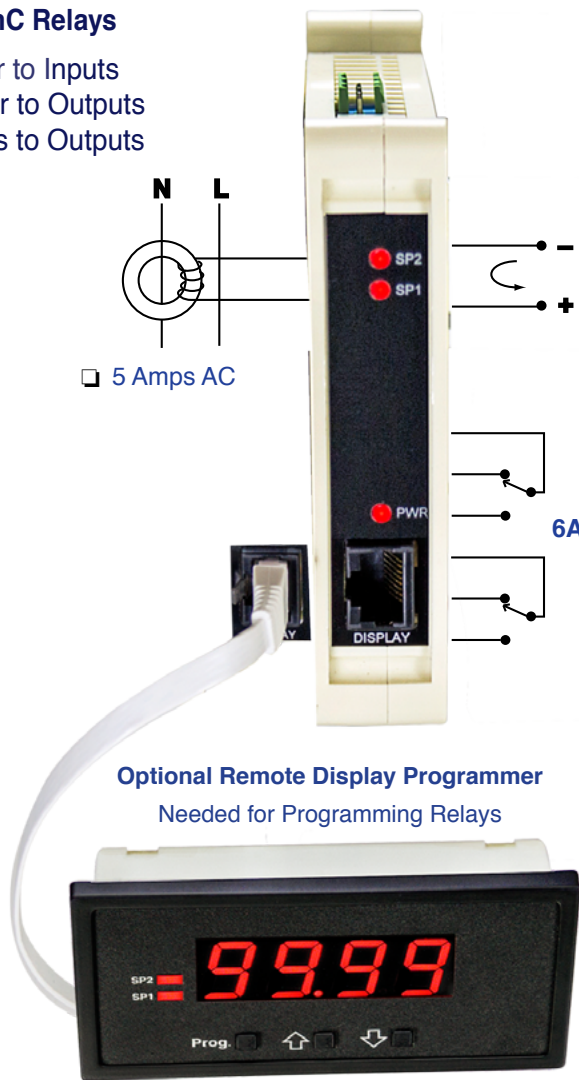
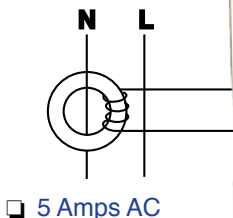
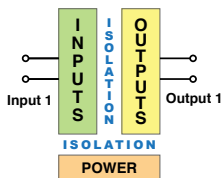


Leopard AC 5 Amps Transmitter

TL-IA05 AC 5 Amps Scaled RMS

TL-IA11 AC 5 Amps True RMS

- ▶ Compact, 22.5mm, DIN Rail Mount Transmitter
- ▶ 5 Amps AC Scaled or True RMS to 4-20mA Transmitter
- ▶ Two optional 6A FormC Relays
- ▶ Triple Isolated: Power to Inputs
Power to Outputs
Inputs to Outputs



NEW

Optional Remote Display Programmer
Needed for Programming Relays

Active OUTPUT
4-20mA 4-20mA
Isolated 0-10V

SP1
 Optional Relay

6A Form C Relays

SP2
 Optional Relay

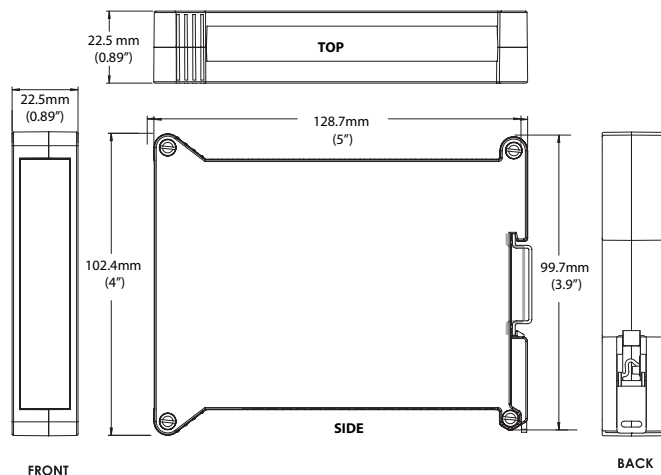
POWER SUPPLY

PS2 15 to 48 VAC 3.5W
50-400 Hz
Fuse Not Replaceable
10 to 72 VDC 3.5W

PS1 85 to 265 VAC 3.5W
50-400 Hz
95 to 300 VDC 3.5W



CASE DIMENSIONS



TL-IA05 . . . AC-Amps Scaled RMS.....\$199
TL-IA11 . . . AC-Amps True RMS.....\$209

▶ **POWER SUPPLY**

PS1 85-265VAC/95-300VDC\$0
PS2 15-48VAC/10-72VDC\$35

▶ **RELAY OUTPUT**

R11 . . Single 6A Form C Relay\$40
R12 . . Dual 6A Form C Relays\$75

Short Depth 96x48 Remote Display/Programmer Kit
OP-TL/RDISP . . Remote Display/Programmer
w/Cable and Belt clip Carrying Case\$75



• For ordering info call: 1-800-TEXMATE or 760 598-9899
• Email: orders@texmate.com • Fax: (760) 598-9828
• For tech assistance call: (760) 598-9899
450 State Place, Escondido, CA 92029